

# New Practibox™, stylish & easy to use



FLUSH-MOUNTING DISTRIBUTION CABINETS  
FOR LIVING AREAS AND WORKPLACES

 **legrand**®

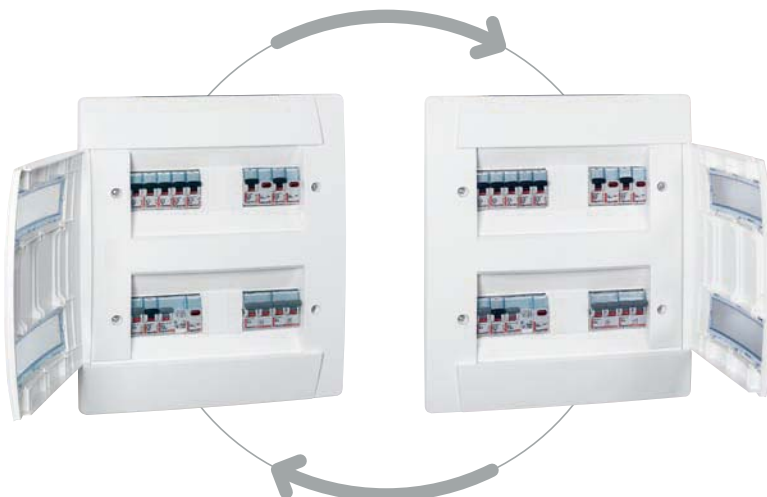
# Stylish & easy to use



Practibox flush-mounting distribution cabinets blend perfectly into living areas or the workplace with their white finish and clear windows.

Thanks to the reversible faceplate, the door can be either right or left-opening. It can be fitted with a key lock.

These additional features increase the added value of your projects.

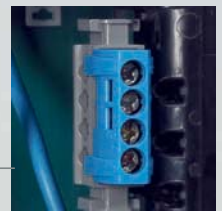


The reversible faceplate means the door can open to the left or right, thus offering maximum flexibility during installation on site.

# Easy wiring



Ease of installation due to terminal blocks which can be installed at the top, bottom or on the sides, between the rails, and directly on the flush-mounting box.



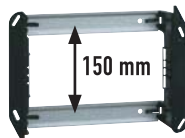
More space available between the rails, terminal blocks installed on the flush-mounting box at the top,

bottom or even between the rails. Cabinet faceplate fixes easily on the flush-mounting box thanks to recessed

grooves. Key features for easier installation.



Flush-mounting masonry box with integrated slots for the terminal blocks



Chassis with vertical adjustment. Corrects the level of a flush-mounting box. Space between the rails 150 mm



Cabinet faceplate and door with recessed grooves at the back to assist fixing on the box

# Simple selection

**1 catalogue number**

**= 1 complete cabinet:**

Flush-mounting masonry  
box, chassis and faceplate  
with reversible door

**Cat. No. 6011 10**  
**Cabinet with 1 row of 6 modules**



**Cat. No. 6011 11**  
**Cabinet with 1 row of 8 modules**



**Cat. No. 6011 12**  
**Cabinet with 1 row of  
12 modules**



**Cat. No. 6011 13**  
**Cabinet with 2 rows of  
12 modules (24 modules)**



**Cat. No. 6011 14**  
**Cabinet with 3 rows of  
12 modules (36 modules)**



## Practibox™ flush-mounting distribution cabinets

6 to 36 modules



6011 11



6011 14

IP 40 - IK 07 with door  
Class II  
Conform to standard IEC 439  
Reversible faceplate  
Box for masonry  
White RAL 9003  
Supplied without terminal block

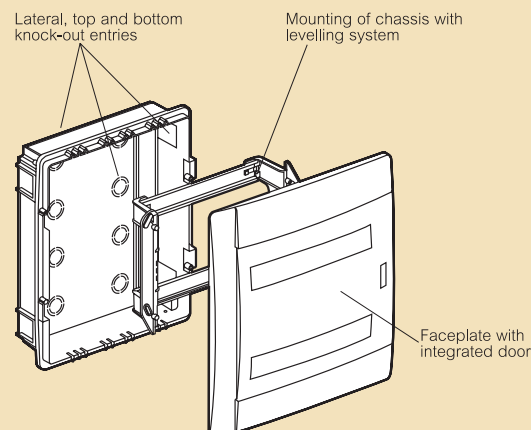
Pack	Cat.Nos	Terminal shield boxes
1/10	6011 10	1 row of 6 modules
1/10	6011 11	1 row of 8 modules
1/5	6011 12	1 row of 12 modules
1	6011 13	2 rows of 12 modules
1	6011 14	3 rows of 12 modules

		Accessories
20	016 60	<b>Blanking plate</b> Separable into modules or 1/2 modules 5 modules - white
		<b>Terminal blocks</b> Neutral and earth 2 x 8 holes
10	6012 90	<b>Key lock</b> Key lock n° 850 Only for 2 and 3 rows distribution cabinets

**IP 2X terminal blocks** (please consult us)

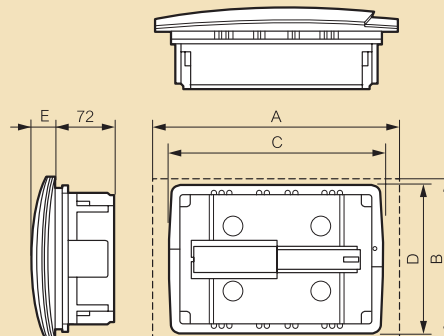
## Practibox™ flush-mounting distribution cabinets

6 to 36 modules



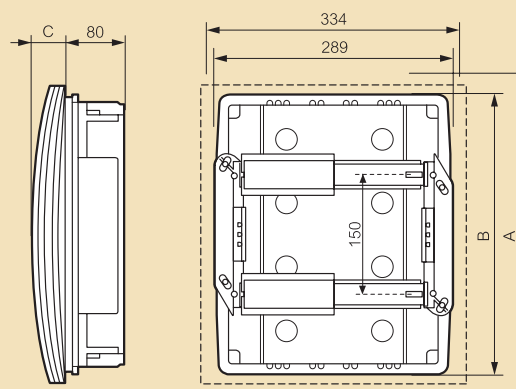
### ■ Dimensions

Cabinets 6, 8 and 12 modules



	Number of modules		
	6 mod.	8 mod.	12 mod.
<b>A</b>	230	266	334
<b>B</b>	186	188	225
<b>C</b>	208	244	287
<b>D</b>	180	180	208
<b>E</b>	27	27	31

Cabinets 24 and 36 modules



	Number of modules	
	24 mod.	36 mod.
<b>A</b>	376	526
<b>B</b>	358	508
<b>C</b>	40	42



**World Headquarters and  
International Department  
87045 LIMOGES CEDEX FRANCE**

☎ : + 33 5 55 06 87 87  
Fax : + 33 5 55 06 74 55  
[www.legrandgroup.com](http://www.legrandgroup.com)